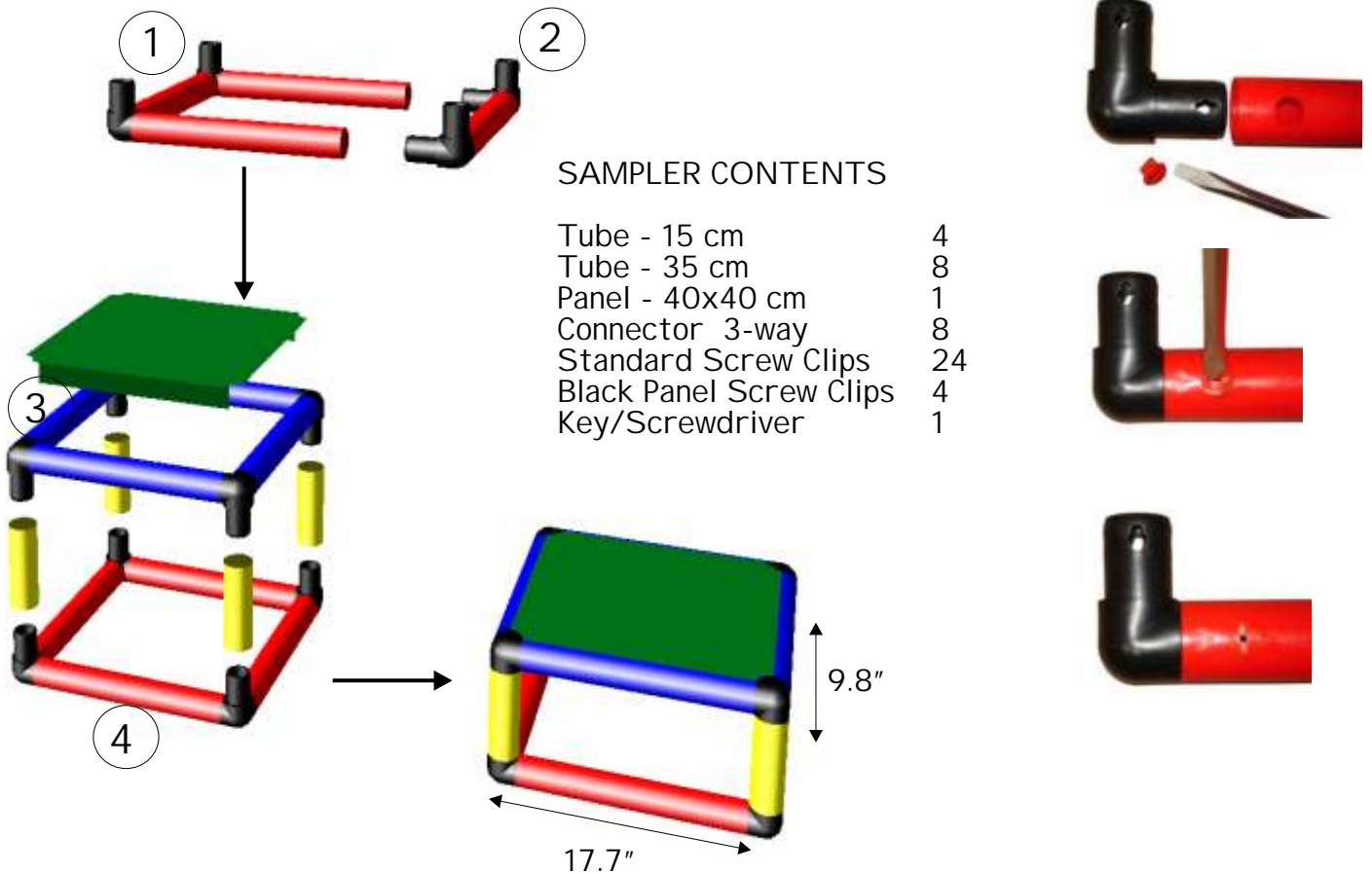


# PHUNZONE

## SAMPLE "STEP" OFFER

For those customers who prefer to touch and feel the product before purchasing.

1. Provide us with a current/valid credit card information. We do not actually run your card.
2. We ship the sample (see below). Free shipping in Continental USA
3. When you are finished examining the sample, you return "as new" at your cost.
4. If you chose not to return, or after 15 days, we charge your card \$50
5. If you return in "used condition", we charge your card \$50



Please note that sending a few parts, such as the small platform does not provide an accurate representation of the quality, flexibility, durability and benefits of a complete system.

Copyright 2004-2010

136 Walker Street, Atlanta GA 30313  
 TEL: 404-521-9054 ORDER 800-477-6434 FAX: 404-222-8366  
[www.phunzone.com](http://www.phunzone.com) [info@phunzone.com](mailto:info@phunzone.com)